

# PTC Creo® View ECAD Compare

INSTANTLY IDENTIFY DIFFERENCES BETWEEN TWO PCB DESIGN ABSTRACTIONS

With today's products having shorter lifecycles, more electronic content – and more contributors making changes to that content, engineers need a tool to quickly identify differences between PCB design iterations. PTC Creo View ECAD Compare automates the task of finding differences between any two versions of PCB abstractions, thus allowing you to save significant time and effort while reducing errors and improving productivity.

In today's PCB design, electrical engineers and project managers will request frequent design changes to the original PCB layout. Verifying that the PCB designer has modified the design appropriately – without creating any unforeseen issues – is critical. The software solves this issue by allowing users to instantly see design differences, both attribute and graphical, between any two versions of the PCB's schematic, layout or manufacturing artwork.

## Key benefits

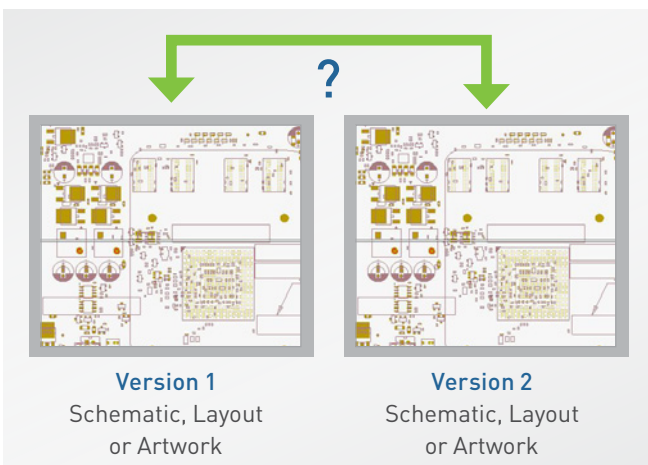
### Improve productivity

The software improves cross-discipline communication between electrical and mechanical design teams and enables engineers to automatically verify any two revisions of the PCB layout for items such as pin sequence, terminating resistors, interconnect topology, and plane geometries. This verification capability also applies to any in-process design review that requires change validation.

### Save time and money

The software not only makes the verification of version-to-version PCB design changes easier and quicker, but since it understands data from all of the major ECAD authoring tools, it eliminates the need to purchase additional ECAD authoring tool licenses.

Once you identify PCB design differences in PTC Creo View ECAD Compare, you can quickly determine whether you need to conduct a more in-depth review. Links within the Differences Report will take you directly to the software and automatically highlight the affected content for graphical analysis.



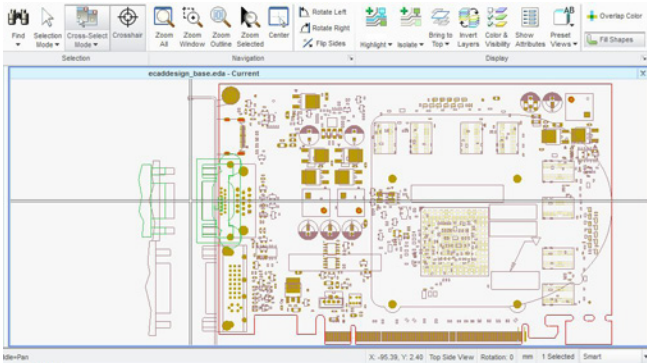
PTC Creo View ECAD Compare automates PCB design comparison.

## Maintain design intent

Very often, manufacturers want to optimize designs in order to reduce risks to manufacturing yield caused by chemical traps or separation. The resulting modifications often cause changes to many of the product's original design characteristics. The software makes it easy for electrical engineers to validate those iterative changes, enabling them to incorporate the as-manufactured design information along with an accurate list of modifications for future reference.

## Cross-checking between different ECAD tools

PTC Creo View ECAD Compare makes it easy for your PCB design team to cross-check designs generated with multiple ECAD tools. This unique cross-tool comparison capability also helps companies when upgrading from one ECAD tool to another, ensuring the design intent of the legacy designs.



Interact with other graphical applications, such as PTC Creo View ECAD and PTC Creo Parametric, to gain a complete understanding of differences.

## Features

- Analyze and report object differences, as well as image differences
- Supports the checking of many different object including: Design summary, Components, Nets, Board Outline, Properties, Vias, Regions and Holes
- Image checks supported:
  - Schematic Sheets (all or by range)
  - Layers (all or conductive only)
- Support for ProSTEP .idx (Interdomain Design Exchange) standard
- Deliver simple-to-use reports to navigate results
- Link to PTC Creo View ECAD for easy design interrogation and comparison highlighting
- Rich design interrogation capabilities
  - Deep set of transaction functions
  - Transaction details with unique transaction IDs
  - Discrete identification of change proposals and design differences
  - Initial states and states for individual transactions
  - Filtering of individual transactions
- Ability to add comments that are stored with the viewable transaction history
- ECAD-MCAD collaboration and interoperability
- Can be used either standalone or in conjunction with other products, including PTC Creo and various native PCB authoring tools

## System requirements

- Microsoft® Windows®
- Languages: English, Japanese, Simplified Chinese and Traditional Chinese

For the most up-to-date platform support information, visit:

[PTC.com/partners/hardware/current/support.htm](http://PTC.com/partners/hardware/current/support.htm)

© 2012, PTC. All rights reserved. Information described herein is furnished for informational use only, is subject to change without notice, and should not be construed as a guarantee, commitment, condition or offer by PTC. PTC, the PTC Logo, PTC Creo, and all PTC product names and logos are trademarks or registered trademarks of PTC and/or its subsidiaries in the United States and in other countries. All other product or company names are property of their respective owners. The timing of any product release, including any features or functionality, is subject to change at PTC's discretion.

J1205-PTC Creo View ECAD Compare-DS-EN-1012